

Jumper settings:

TP1 header pinout: Pin 1 to UCC, Pin 2 to GND, Pin 3 to GND.

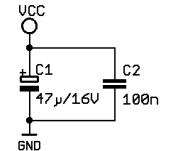
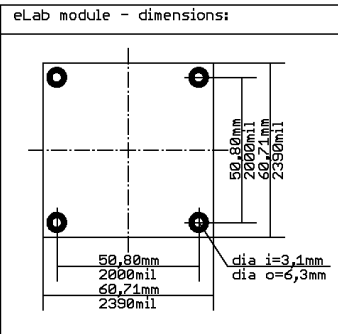
J, IO:	8	7	6	5	4	3	2	1	
LD:	6	7	6	5	4	3	2	1	Assignment
LD:	SP	6	4	2	2	5	3	1	
SW:	4	3	2	1	4	3	2	1	

J, IO: 8 7 6 5 4 3 2 1
 LD: 8xLED
 LD: 8xLED
 SW: 8xLED

J, IO: 8 7 6 5 4 3 2 1
 LD: 4 x LED lower
 LD: 4 x LED upper
 SW: 4 x switch upper

J, IO: 8 7 6 5 4 3 2 1
 LD: SP enabled
 LD: 3 x LED upper
 SW: 4 x switch lower

J, IO: 8 7 6 5 4 3 2 1
 LD: none
 LD: none
 SW: none



Push-buttons type SWxA or SWxB can be assembled
 Switches SWxC optional

SENG digitale Systeme GmbH	
© Copyright 2004 SENG digitale Systeme GmbH	
TITLE: 021LC001	
Document Number:	REV:
eLAB - LedSwitch	1.1
Date: 11.11.2004 11:54:25	Sheet: 1/1