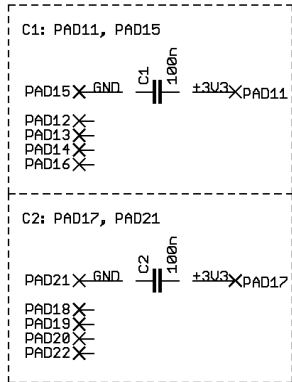
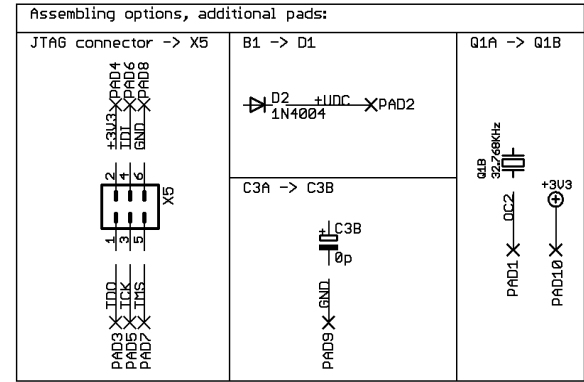
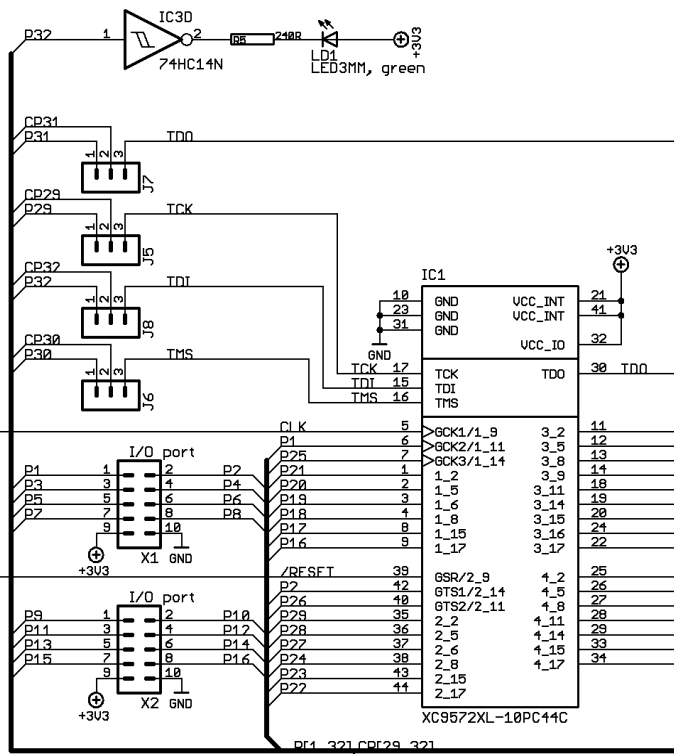
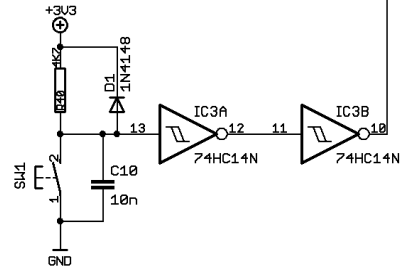
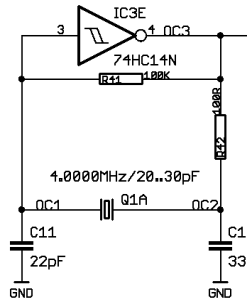


Oscillator:

All values given for 74HC14 (Schmitt-trigger inputs), Q1A=4MHz, UCC=3V3
 Other frequencies/UCC: adjust given values and check functionality !!!

For 32,768 KHz oscillator use following components:
 (74HC14 is a must due to long rise/fall times)
 Q1A = not assembled
 Q1B = 32,768 KHz/12..13pF, d3.1x8 or d2.0x6 mm package
 R41 = 10M
 R42 = 100K
 C11 = 10p
 C12 = 33p

For crystals > 1MHz, 74HC04 may be used, change R41 to 1M
 (74HC04 not suitable for decoupling of SW1 due to long rise/fall times)



0p, 100M parts not assembled

SENG digitale Systeme GmbH
 (C) Copyright 2004 SENG digitale Systeme GmbH
 TITLE: 021L0001

Document Number:	REV:
eLAB - xc9572x1 CPLD board	1.1
Date: 10.11.2004 10:30:22	Sheet: 1/1

