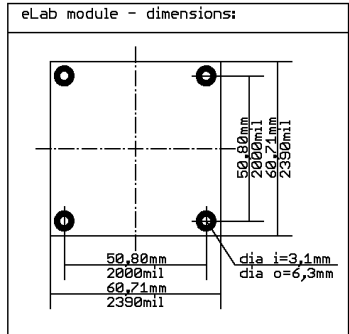
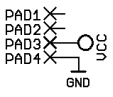
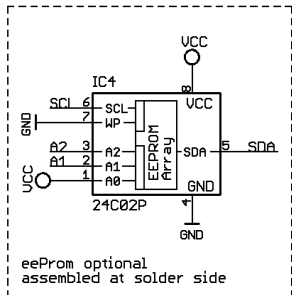


X4: external i2c-bus connector for LM75 or LM92 style SMD temperature sensors optional



Jumper settings:

TP1 jumper settings: 1 to UCC, 2 to GND, 3 to UCC.

/INTC	/INTP	/INTC	/INTP	/INTC	/INTP	/INTC	/INTP	1	1
I01	I02	I03	I04	I05	I06	I07	I08	A2	A1

default settings:
 SCL => I01
 SDA => I02
 /INTC => none
 /INTP => none
 i2c address ==> 0x0

J1-J11 jumper settings: SCL, SDA, SCL, SDA, SCL, SDA, SCL, SDA, SCL, SDA, SCL, SDA.

/INTC	/INTP	/INTC	/INTP	/INTC	/INTP	/INTC	/INTP	1	1
I01	I02	I03	I04	I05	I06	I07	I08	A1	A0

example settings:
 SCL => I07
 SDA => I04
 /INTC => I01
 /INTP => I06
 i2c address ==> 0x1

X2 jumper settings: 1 to UCC, 2 to GND, 3 to AGND, 4 to AGND, 5 to AGND, 6 to AGND, 7 to AGND, 8 to AGND, 9 to UCC, 10 to AGND.

SENG digitale Systeme GmbH
 (C) Copyright 2004 SENG digitale Systeme GmbH
 TITLE: 021LE001

Document Number:	REV:
eLab - i2c RTC I/O	1.1
Date: 10.11.2004 14:42:34	Sheet: 1/1

