

Jumper settings:

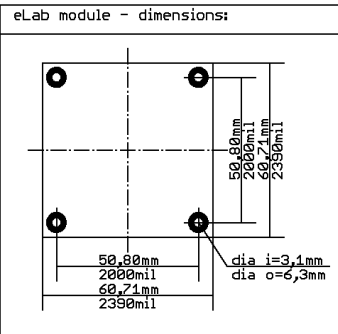
TP1

J2:

Power via X1, default Power via X2

J1:

I/O: 1 2 3 4 5 6 7 8
 K1, X1: x x x x x
 K2, X2: x x x x x



Connector X3, D3 optional

SENG digitale Systeme GmbH
 (C) Copyright 2004 SENG digitale Systeme GmbH
 TITLE: 021LI001

Document Number:	REV:
eLAB - 2 channel relay output	1.1
Date: 10.11.2004 16:34:51	Sheet: 1/1