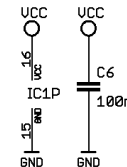
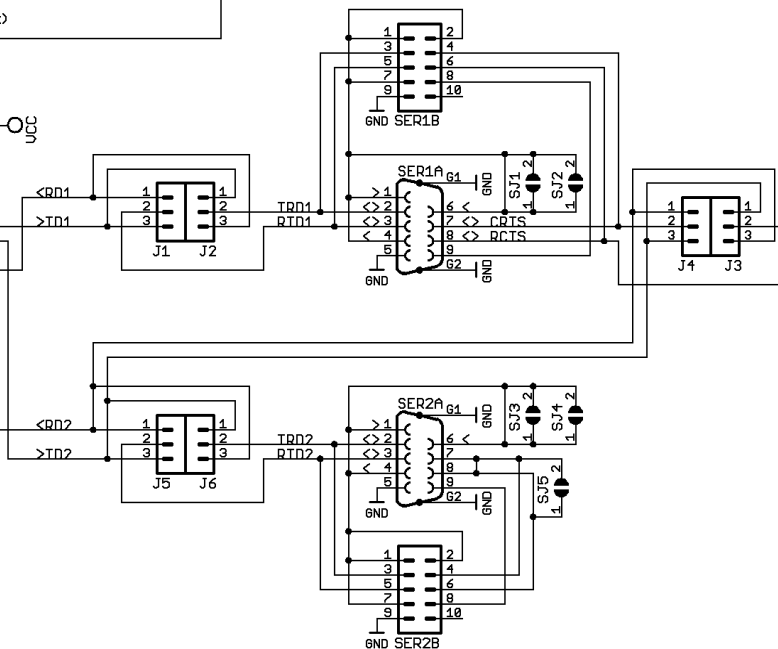


Device	UCC	C1	C2, C3, C4	C5
MAX232	5	1,0	1,0	4,7
MAX232A	5	0,1	0,1	4,7
MAX3232	3...5,5	0,1	0,47	4,7
MAX222	5	0,1	0,1	4,7
MAX3222	3...5,5	0,1	0,47	4,7



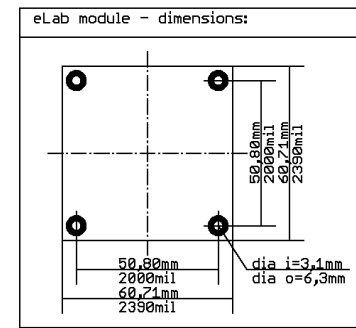
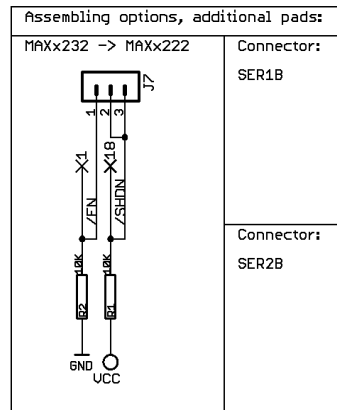
**Jumper settings:**

 J1 J2 J3 J4 J5 J6 SER1: PC compatible, no handshake SER2: PC compatible, no handshake	 J1 J2 J3 J4 J5 J6 SER1: RD-TD crossed, no handshake SER2: RD-TD crossed, no handshake
 J1 J2 J3 J4 J5 J6 SER1: PC compatible, no handshake SER2: RD-TD crossed, no handshake	 J1 J2 J3 J4 J5 J6 SER1: RD-TD crossed, no handshake SER2: PC compatible, no handshake
 J1 J2 J3 J4 J5 J6 SER1: PC compatible, CTS-RTS handshake SER2: not useable	 J1 J2 J3 J4 J5 J6 SER1: RD-TD crossed, CTS-RTS crossed SER2: not useable

**Signal:**

PC_inlink	1	2	3	4	5	6	7	8	9	10	11	12	13	14	15	16
I2	1	2	3	4	5	6	7	8	9	10	11	12	13	14	15	16
I1	1	2	3	4	5	6	7	8	9	10	11	12	13	14	15	16
R2	1	2	3	4	5	6	7	8	9	10	11	12	13	14	15	16
R1	1	2	3	4	5	6	7	8	9	10	11	12	13	14	15	16

Default setting, shown:  
 Signal R1 connected to link X1-I01  
 Signal T1 connected to link X1-I02  
 Signal R2 connected to link X1-I03  
 Signal T2 connected to link X1-I04



0p, 100M parts not assembled.  
 Board useable for MAXx232 or MAXx222 style drivers/receivers  
 All values shown for UCC=5V and IC1=MAX232, for other type of IC and UCC adjust values according to IC datasheet.

**SENG digitale Systeme GmbH**  
 (C) Copyright 2004 SENG digitale Systeme GmbH  
 TITLE: 021L0000

Document Number:	REV:
eLab - RS-232 interface	1.0
Date: 14.01.2005 09:32:53	Sheet: 1/1